

# HSL 72 S

## Superior yield, cost efficient

### NOMENCLATURE

HSL72P6-PC-1-xxx  
xxx = power class

HIGH YIELD AND OUTSTANDING PROTECTION AGAINST DEGRADATION EFFECTS ENABLE THE 72-CELL POLY MODULE TO OFFER RELIABLE RETURNS.

### Superior yield

---

High power output thanks to advanced four-busbar technology

---

Outstanding performance under real-life conditions

---

Double current sorting available

### Long-Term durability

---

Verified resistance against PID effects verified by TÜV SÜD\*

---

Withstands 5400Pa snow and 4000Pa wind loads\*\*

---

Certified protection in harsh environments  
(salt-mist, ammonia corrosion)

---

Guaranteed Quality: 12 Year Workmanship  
and 25 Years Linear Performance Warranty\*\*\*

### Cost efficiency

---

Efficient Logistics: Compact Design, Efficient  
Shipping, Easy Handling

\* PID test according to IEC62804

\*\* See the Hanwha Solar Installation Guide

\*\*\* Please refer to Hanwha Solar Product Warranty for details



### ABOUT HANWHA SOLAR

Hanwha Solar is a brand of Hanwha Q CELLS, the world's largest solar cell manufacturer and one of the largest photovoltaic module manufacturers.

# HSL 72 S

## Superior yield, cost efficient

ELECTRICAL CHARACTERISTICS									
POWER CLASS			295	300	305	310	315	320	
MINIMUM PERFORMANCE AT STANDARD TEST CONDITIONS, STC <sup>1</sup> (POWER TOLERANCE +5 W / -0 W)									
Minimum	Power at MPP <sup>2</sup>	P <sub>MPP</sub> [W]	295	300	305	310	315	320	
	Short Circuit Current*	I <sub>SC</sub> [A]	8.60	8.70	8.81	8.91	9.02	9.10	
	Open Circuit Voltage*	V <sub>OC</sub> [V]	44.6	44.8	45.0	45.1	45.3	45.6	
	Current at MPP*	I <sub>MPP</sub> [A]	8.11	8.20	8.29	8.36	8.45	8.52	
	Voltage at MPP*	V <sub>MPP</sub> [V]	36.4	36.6	36.8	37.1	37.3	37.6	
	Efficiency <sup>2</sup>	η [%]	≥15.1	≥15.3	≥15.6	≥15.8	≥16.1	≥16.3	
MINIMUM PERFORMANCE AT NORMAL OPERATING CONDITIONS, NOC <sup>3</sup>									
Minimum	Power at MPP <sup>2</sup>	P <sub>MPP</sub> [W]	217	221	224	228	234	238	
	Short Circuit Current*	I <sub>SC</sub> [A]	6.95	7.03	7.12	7.20	7.29	7.35	
	Open Circuit Voltage*	V <sub>OC</sub> [V]	41.8	42.0	42.2	42.3	42.4	42.6	
	Current at MPP*	I <sub>MPP</sub> [A]	6.48	6.58	6.63	6.69	6.81	6.88	
	Voltage at MPP*	V <sub>MPP</sub> [V]	33.5	33.6	33.8	34.1	34.4	34.6	
<sup>1</sup> 1000 W/m <sup>2</sup> , 25 °C, spectrum AM 1.5 G			<sup>2</sup> Measurement tolerances STC ± 3 %; NOC ± 5 %			<sup>3</sup> 800 W/m <sup>2</sup> , NOCT, spectrum AM 1.5 G			*typical values, actual values may differ

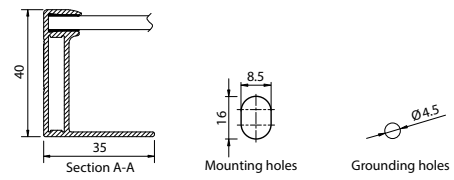
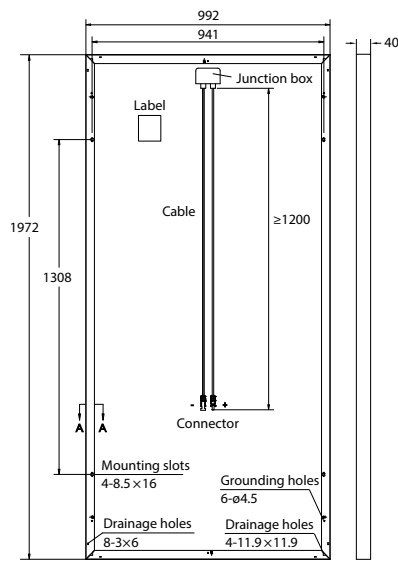
MECHANICAL CHARACTERISTICS	
Dimensions	1972 mm × 992 mm × 40 mm (including frame)
Weight	23 ± 0.5 kg
Front Cover	3.2 mm tempered anti-reflection glass
Backsheet	Multi-layer composite sheet
Frame	Anodised aluminium
Cell configuration	6 × 12 polycrystalline solar cells, 156 mm × 156 mm
Cell technology	4 busbar
Junction Box	Protection class IP67; 3 sets of diodes
Output Cable	4 mm <sup>2</sup> Solar cable; (+) ≥ 1200 mm, (-) ≥ 1200 mm
Connector	Intermateable connector with H4, MC4
Packaging	25 pieces/pallet, 550 pieces/container (40 ft. HQ)

SYSTEM DESIGN	
Static load wind / snow	4000 Pa / 5400 Pa
Hail safety impact velocity	25 mm at 23 m/s
Operation temperature	-40 °C to 85 °C
NOCT	45 ± 3 °C
Maximum system voltage	1000 V (IEC)
Series fuse rating	15 A
Maximum reverse current	Series fuse rating multiplied by 1.35
Fire safety classification	Class C
Safety class	II

PERFORMANCE AT LOW IRRADIANCE	
The typical efficiency at 200 W/m <sup>2</sup> in relation to 1000 W/m <sup>2</sup> , (25 °C, AM 1.5) is at least 97 % of STC efficiency.	

TEMPERATURE CHARACTERISTICS	
Temperature coefficients of P	-0.41 %/°C
Temperature coefficients of V	-0.31 %/°C
Temperature coefficients of I	+0.055 %/°C

QUALIFICATIONS AND CERTIFICATES	
IEC 61215, IEC 61730, IEC 61701, IEC 62716, EN 13501, IEC62804, IEC60068-2-68, Reach compliance, Conformity to CE, SIL approved, Application Class A	
	



Specifications subject to technical changes © Hanwha Q CELLS Co., Ltd. HSL-72S\_2016-01\_Rev02\_EN

Sold in India by:  
Aviraj Urja  
Call: +91-9711461061  
Email: info@avirajurja.com  
Web: www.avirajurja.com

